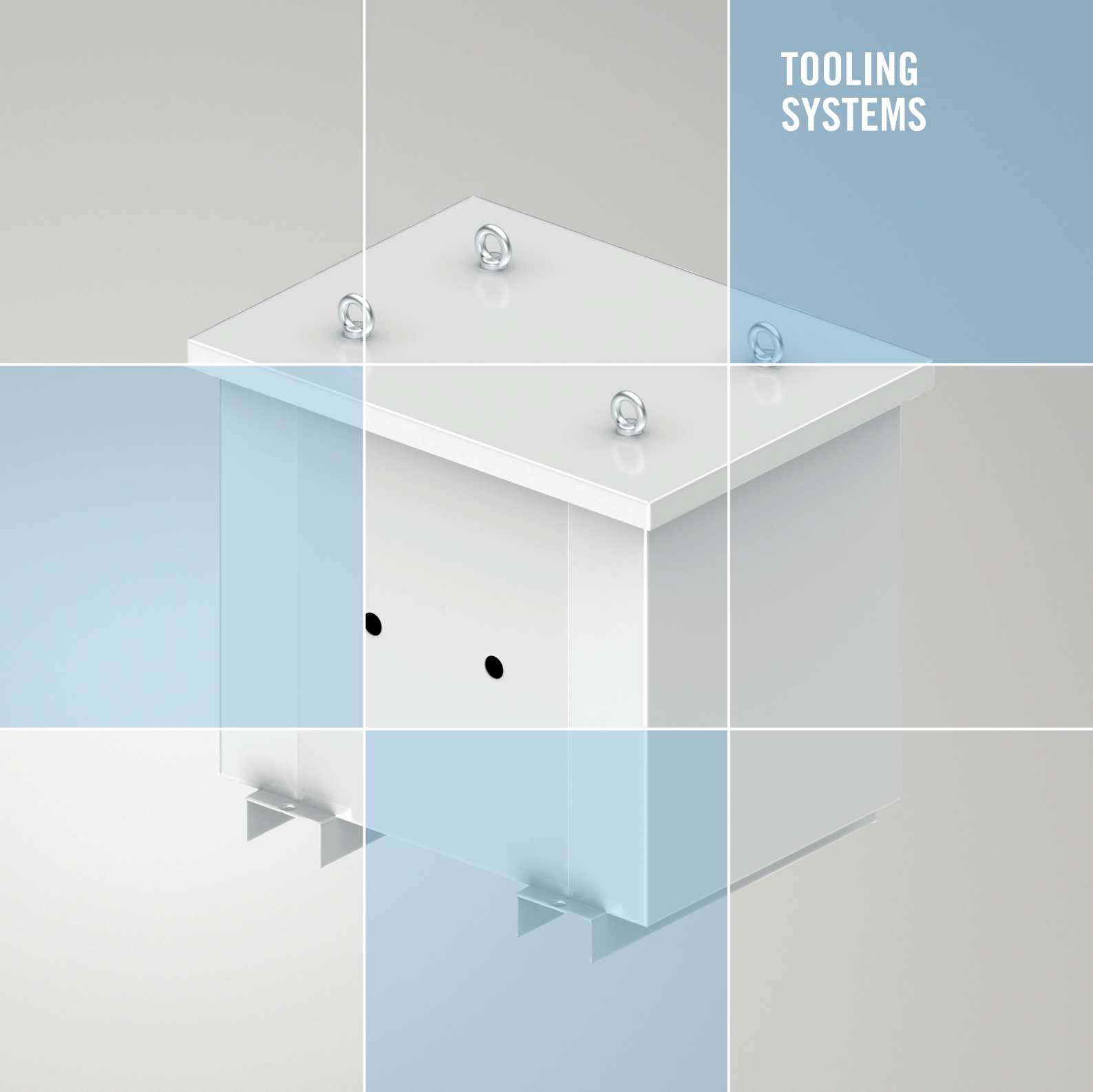


**TOOLING
SYSTEMS**



ELECTRICAL TRANSFORMER FOR SHRINKING DEVICE INSTALLATION INSTRUCTIONS

IMPORTANT CAUTIONS & WARNINGS



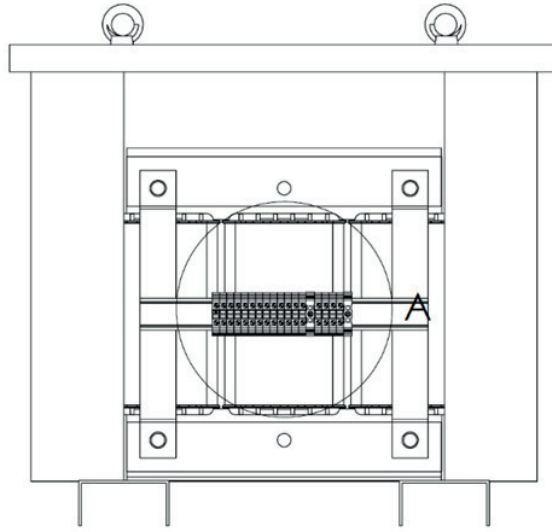
- It is recommended that the installation is completed by a qualified electrician.
 - Before attempting to use this Transformer, you must have read and fully understood this Installation Instruction.
 - Visually inspect the transformer, power cord for any signs of wear or damage before operating the device.
 - Do not use the device if there is any sign of damage, or if the device is not performing normally.
- Connect first the Easyshrink EVO to the Transformer before connect the transformer to your outlet.
 - The power cord provided must be plugged into the correct standards three-phased outlet of your country.
 - Operating the device while improperly connected or at the wrong voltage may damage the device and could possibly cause death or injury:
 - Position the power cord so it cannot be damaged by fork trucks or other equipment or cause a tripping hazard for personnel.
 - Do not operate the device in a wet environment where exposure to coolant or spills are likely to occur. Electric shocks or damage to the device may occur.
 - Never operate the device around flammable materials.
 - Do not use flammable liquids or aerosols to clean tool holders
 - Turn off the power switch and disconnect the power cord from the outlet before cleaning, servicing, or storing the device.
- Individuals who carry medical implants are banned from using or working with this device. The carriers of a pacemaker must refer to the specific note of the pacemaker established on the basis of : NF E 60601-1-2 (september 2017).
 - Persons with heart pacemakers may not operate the device and must always maintain a minimum safe distance of 2 meters (6 feet) from the device.

SPECIFICATION OF THE TRANSFORMER

ORDER NUMBER	10506
TYPE	GDA10000
PERFORMANCE	20 kVA
PRIMARY	3x 208/240/480/600 V
SECONDARY	3x 400V / 28.8A +N
STAR POINT	Max 10% load
FREQUENCY	50/60 Hz
GROUP OF VECTORS	Yan0
STANDARD	EN61558-2-13
MAX. AMBIENT TEMPERATURE	40°
PROTECTION CLASS	IP23
PROTECTION	Not short-circuit proof.
PROTECTION CLASS	1
DUTY CYCLE (ED)	1
CONNECTIONS	Screw fastening
DIMENSIONS W X D X H APPROX.	610 x 450 x 530 mm
APPROX. TOTAL WEIGHT	94 kg

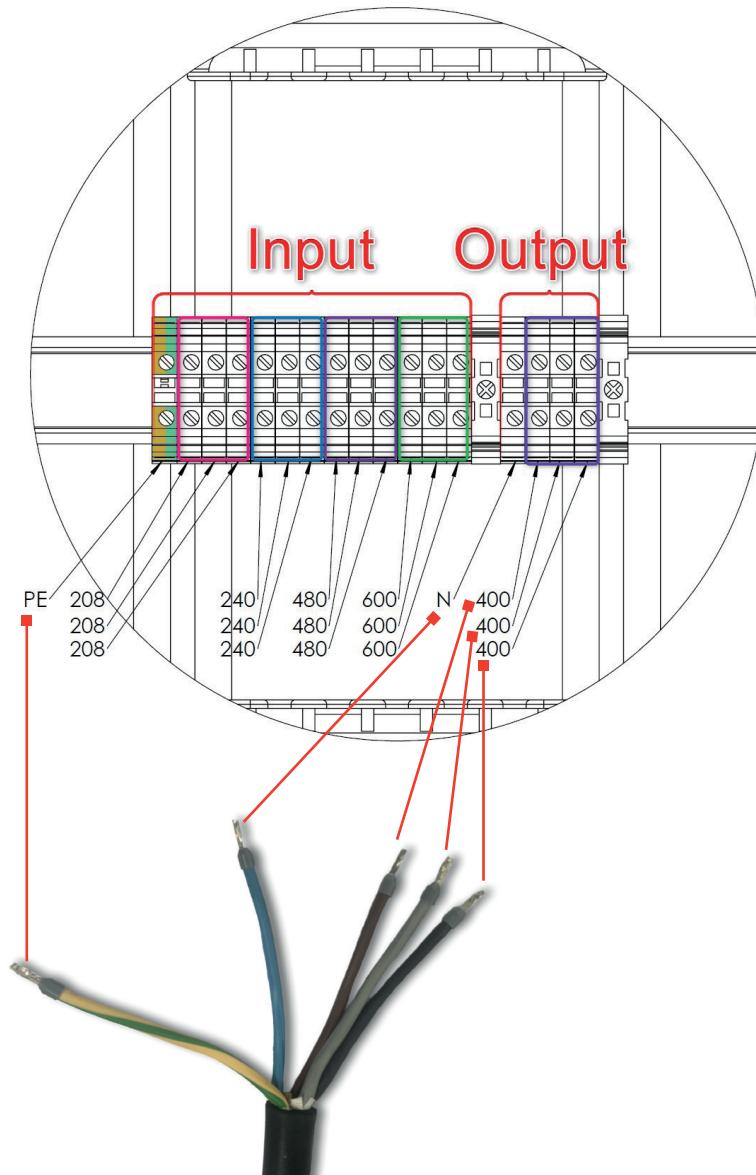
CONNECTING INSTRUCTION OF TRANSFORMER

1. OPEN THE FRONT DOOR OF THE TRANSFORMER



2. CONNECT THE EASYSHRINK EVO DIRECTLY TO THE OUTPUT TERMINALS:

3 Phases + Neutral + PE, don't forget to pass the cable through the hole in the door before connecting.

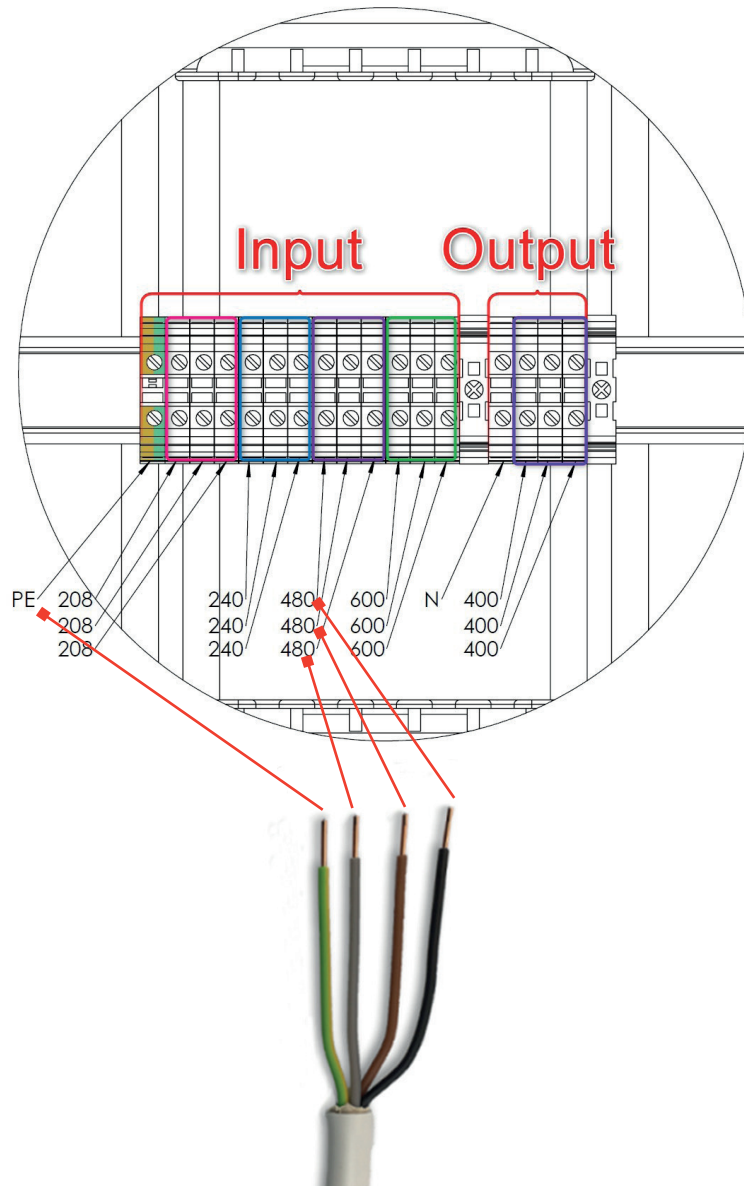


3. THE TRANSFORMER IS DESIGNED TO ACCEPT DIFFERENT INPUT FOR POWER SUPPLY, IN RELATION WITH THE POWER SUPPLY VOLTAGE, IT MUST BE CONNECTED TO THE ADAPTED INPUT TERMINALS

Use the correct three-phase male plug with 3 phases & PE (Protective Earthing), connect the other side of the cables to the transformer

- 3 Phases on the 3 x 208 or 240 or 480 or 600V
- PE (Protective Earthing)

Example: Input Power supply of 480 V



Don't forget to pass the cable through the hole in the door before connecting

4. CONNECT THE THREE-PHASE MALE PLUG INTO YOUR FACTORY PLUG ENTRY



WWW.SECOTOOLS.COM

SECO TOOLS
TOOLING SYSTEMS
8 B RUE DE NEUWILLER
67330 BOUXWILLER - FRANCE
PHONE: +33 (0)3.88.71.38.89

60ZFM30IN30_GB01, © SECO TOOLS AB, 2020.
All rights reserved. Technical specifications are
subject to change without notice.



Follow us on our social media channels.